

1008140130

TA-13

Turbine Mini On-Wall Back Box White



DESCRIPTION

- 16-gauge galvanized steel construction
- White textured paint
- Convenient surface mounting
- Compatible with most standard 2-gang components, plates and covers
- Two 1/2-3/4" Concentric knockouts for conduit

The TA-13 on-wall backbox is designed for surface mounting of standard wall plates. The backbox can be used to conveniently mount the Turbine Mini stations TMIS-1 and TMIS-2. Rugged construction make the box ideal for indoor commercial and industrial applications.

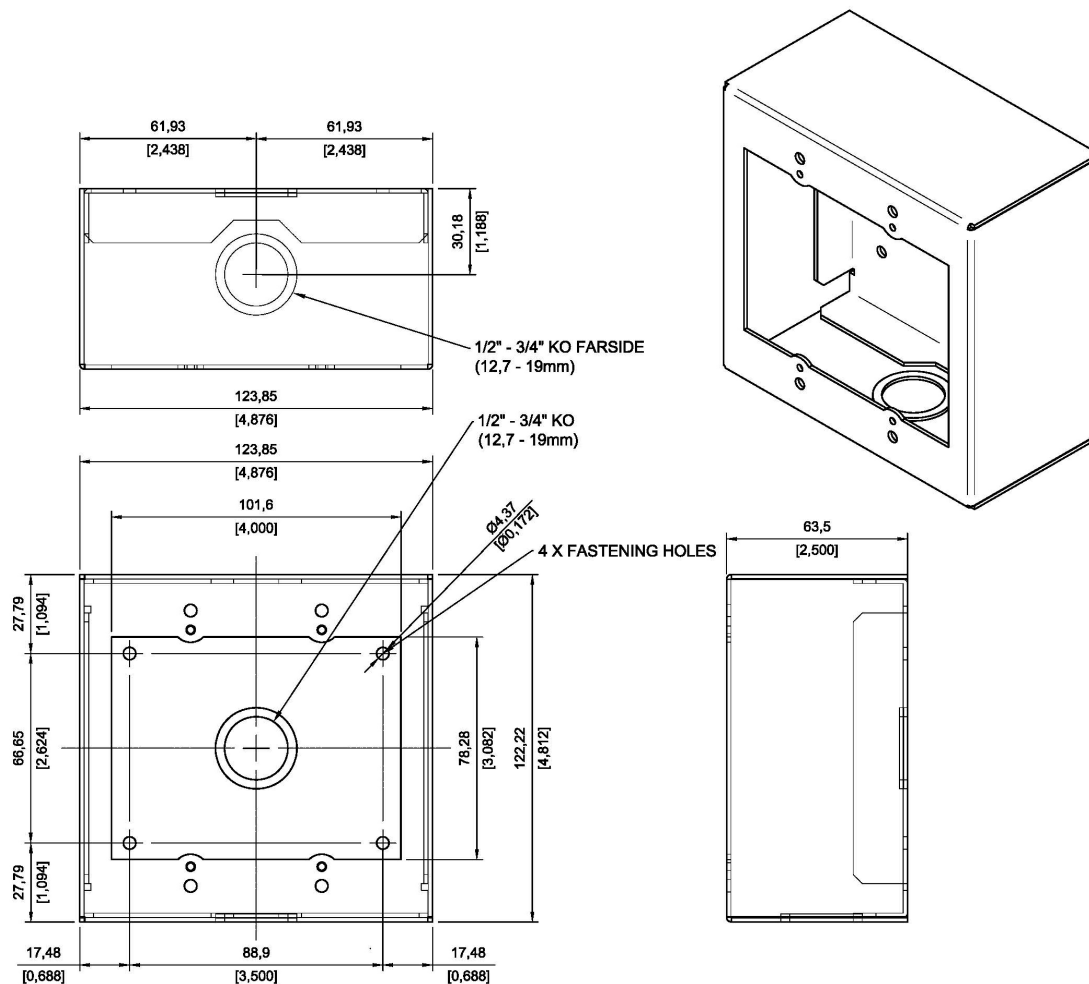
Mounting holes allow for fixed mounting on virtually any wall surface. The backbox model is also available in textured black paint. Standard concentric knockouts facilitate wiring and installation.

SPECIFICATIONS

MECHANICAL

Dimensions (WxHxD):	124 x 122 x 65 mm
Weight:	0.4 kg

TECHNICAL DIMENSIONS



USED WITH



1008116010

TMIS-1

Turbine Mini Intercom



1008116020

TMIS-2

Turbine Mini Intercom