

1008140180

TA-18

Turbine Compact Flush-Mount Back Box



DESCRIPTION

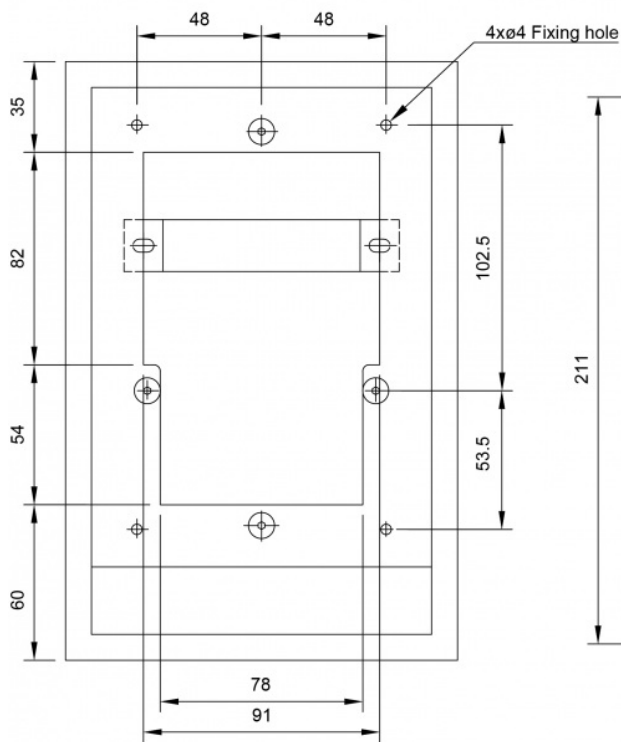
- Back Box for flush mounting of all Turbine Compact Stations
- Makes the front faceplate of the station flush with the wall surface

SPECIFICATIONS

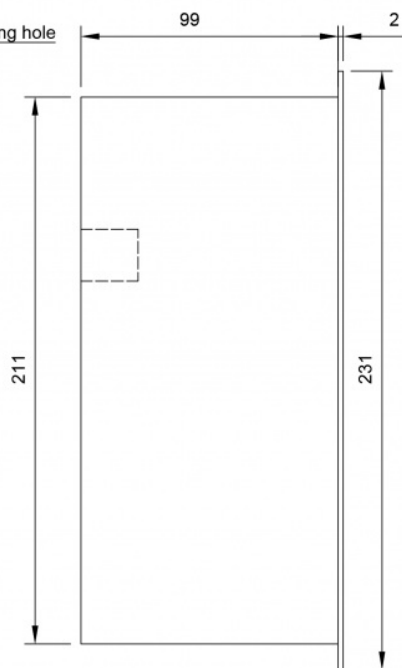
Dimensions (WxHxD):	151 x 231 x 101 mm
Weight:	1.5 kg
Material:	Mild Steel Black Paint
IP Rating	IP-66

TECHNICAL DIMENSIONS

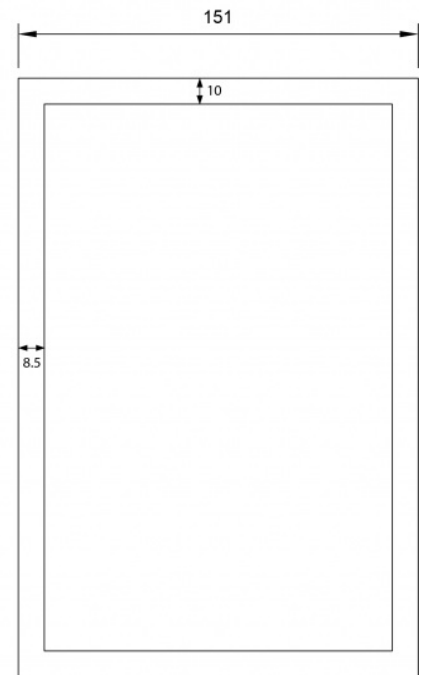
FRONT VIEW



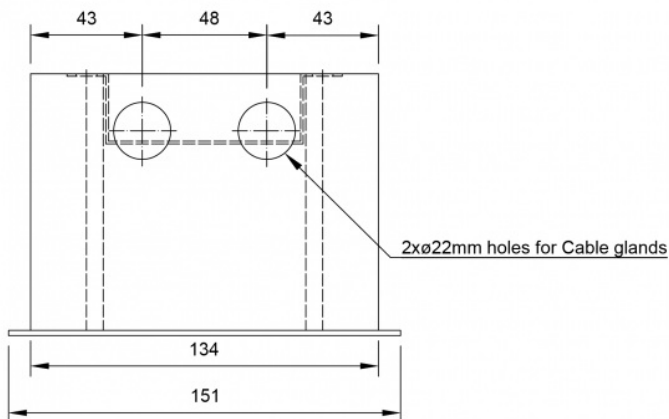
SIDE VIEW



REAR VIEW



BOTTOM VIEW



All dimensions in mm

USED WITH

1008111010
TCIS-1
 IP and SIP Intercom



1008111020

TCIS-2
IP and SIP Intercom

1008111030

TCIS-3
IP and SIP Intercom

1008111040

TCIS-4
IP and SIP Intercom

1008111050

TCIS-5
IP and SIP Intercom

1008111060

TCIS-6
IP and SIP Intercom



1008115020

TCIV-2

Vandal Resistant VoIP Video Intercom

This product has been replaced by
[1008315020 TCIV-2+](#)



1008115030

TCIV-3

IP and SIP Video Intercom

This product has been replaced by
[1008315030 TCIV-3+](#)



1008115060

TCIV-6

IP and SIP Video Intercom

DISCONTINUED



1008113020
TCIA-2
Analog over IP Intercom



1008114010
TCAS-1
Analog Intercom



1008114020
TCAS-2
Analog Intercom

1008114030
TCAS-3

