

1023321330

ZIPS-HHO | IP Horn, High Output Speaker

Zenitel IP Speaker - Horn High Output



- ✓ Zenitel Audio Presence - crystal clear audio
- ✓ Class D, built-in amplifier
- ✓ Protected from Dust and Water - IP66
- ✓ Max output 123 dB SPL (1kHz/1m)
- ✓ Speaker-as-mic Technology
- ✓ Ideal for Micro Zone PA and systems that require a limited number of speakers
- ✓ Each speaker is individually addressable and monitored
- ✓ ONVIF Compatible
- ✓ Remote software upgrade and configuration
- ✓ Relay output for remote control, e.g. doors, signal lamps, gates
- ✓ Powered from the IP network cable using Power over Ethernet (PoE)



SIP

 IC-EDGE IC-Edge

ICX-AlphaCom



IP66

Audio



Automatic Volume



HD Voice Network

Description

This Zenitel IP speaker is equipped with a Class D amplifier, powered via PoE, and designed with a long horn shape to enhance both sound pressure level (SPL) and directivity. This design allows the speaker to deliver up to 123 dBA for speech signals (6 dB crest factor). It is ideal for environments where the speakers need to be positioned at a distance from the listener, and where installation space is not a primary concern, for example, in perimeter protection along a fence line.

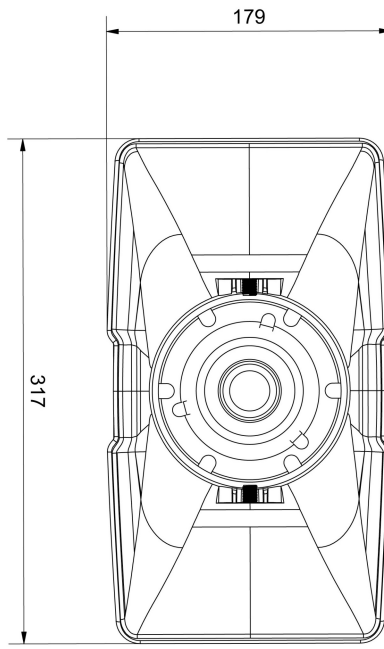
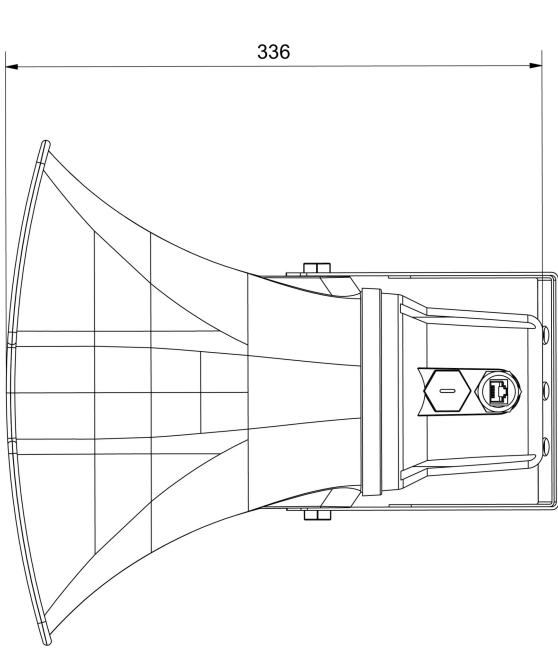
The ZIPS-HHO can also be instrumental for applications where high background noise must be overcome in the installation space, such as industrial areas, and transport applications.

Thanks to IP technology, each speaker can be individually monitored and managed. By integrating the amplifier directly into the speaker, the need for a central amplifier unit and traditional speaker loops is eliminated. This makes the system highly scalable and simplifies the addition of new speakers.

Although conventional speaker loops are not used, the speakers can still be grouped into zones, which can now span across networks or even the internet. To ensure maximum reliability, the speaker is equipped with advanced supervision features.

The built-in microphone enables intelligent functionalities such as self-checking and automatic volume control. It also enhances the traditionally broadcast-only medium by enabling half-duplex communication and ambient listening. The self-checking feature detects any faults in the network or speaker electronics, with status updates sent to the central unit and third-party management systems via SNMP or Syslog. The speakers can also be discovered, receive messages, and support talkback functionality directly through a VMS using ONVIF.

Technical Dimensions



Specifications

GENERAL

Codecs	G.711, G.722
Effective frequency range	240 - 10000 Hz
Continuous SPL (6dB Crest factor)	117 dBA
Max. SPL @ 1kHz/1m	123 dBA
Output Power (Continuous/Peak)	7.5W/30W
IP Rating	IP66
Dimension (WxHxD)	315 x 170 x 350 mm
Weight	2,49 kg
Material, finish	ABS, grey
Mounting	Bracket, stainless steel grade 304
Material / Color	ASA (plastic)
Boxed Shipping weight	.
Boxed Shipping dims (Width x Height x Depth)	.

NETWORKING AND PROTOCOLS

Protocols	IPv4 (with DiffServ), SIP, TCP, UDP, HTTPS, TFTP, RTP, DHCP, SNMP, ONVIF, CCoIP®, NTP
LAN protocols	Power over Ethernet (IEEE 802.3 a-f) Network Access Control (IEEE 802.1x)
Management and operation	HTTP/HTTPS (Web configuration) DHCP and static IP + IC-EDGE. Remote automatic software upgrade. Centralized monitoring
Advanced supervision functions	E.g. network test, tone test, status reports
SIP support	RFC 3261 (SIP base standard), RFC 3515 (SIP refer), RFC 2976 (SIP info)
DTMF support	RFC 2833, 2976 (SIP info)

HARDWARE

Ethernet connector	1 x RJ 45
All other connectors	Tool less, spring loaded, vibration proof terminals
General inputs and outputs	1x GPIO; 1x mic/line input
Output	12mA as LED drivers
Change-over relay (NO+COM)	48V nominal, max. 100VDC, 70VAC
Power options	PoE
PoE (power over Ethernet)	IEEE 802.3af standard, Class 3 (6.49W to 12.95 W)
Max current consumption	0.35 A
Secondary speaker line out	8 Ohm

ENVIRONMENT AND COMPLIANCES

Operating temperature range	-40° to 70° C / -40° to 158 ° F
Storage temperature range	-40° to 70° C / -40° to 158 ° F
Relative humidity	< 95% not condensing
EMC	CE and FCC Part 15

OTHER SPECIFICATIONS

System boot time	Under 10 seconds
IP address information	Speaks IP address after system boot (requires connected loudspeaker)
Country of manufacture	Norway
DIN-rail clips	Wago 209 (included)
Warranty	2 Years standard warranty, extendible up to total of 5 years (additional fee)

Accessories



VLS-GLAND

Cable gland for VLS-15/30